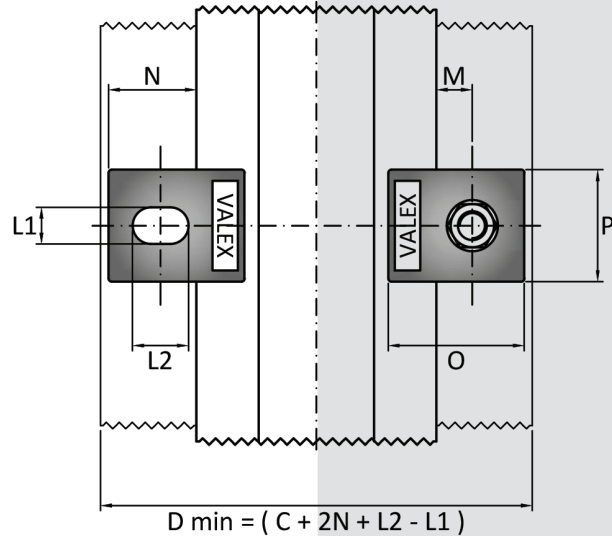
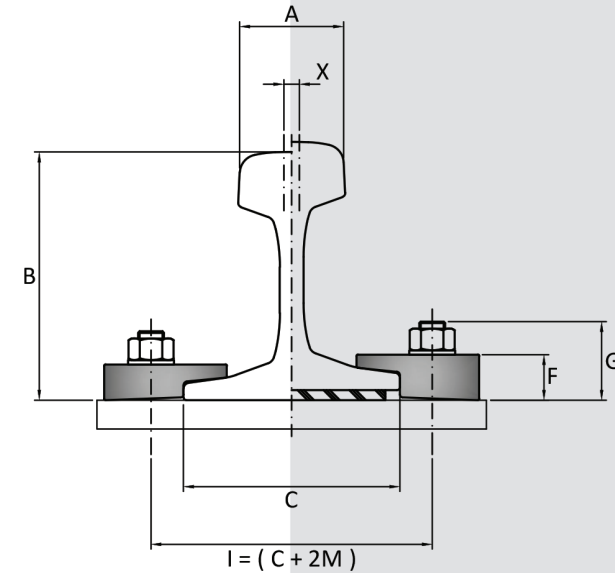




RAIL WITHOUT PAD



RAIL WITH PAD



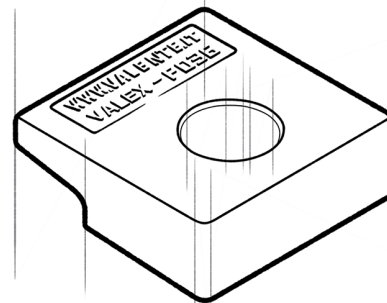
FEATURES

- System made up of one clip and bolt.
- Easy and simple installation.
- Easy and simple maintenance.

COMPONENT PROVIDED

- Clip

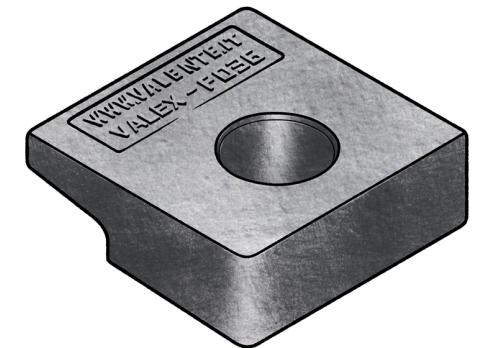
1



APPLICATIONS

Developed for transport rails, VALEX F036-20/23/25 direct fastening system is used, with excellent results, also with train and light rails.

A very rugged, reliable, contained dimensions fastening system, used with any type of crane independently of driving system.

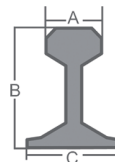


Dimensions [mm]	E	F	G	H	L	L1	L2	M	N	O	P	Weight [g]
VALEX F036-20	-	20	45	-	-	20	20	15	35	55	50	290
VALEX F036-23	-	20	45	-	-	23	23	15	35	55	50	270
VALEX F036-25	-	20	50	-	-	25	25	15	35	55	50	260



RAIL TYPE	A [mm]	B [mm]	C [mm]	Weight [kg/m]	WITHOUT PAD	WITH PAD
A 45	45	55	125	22,1	VALEX F036	-
A 55	55	65	150	31,8	VALEX F036	-
A 65	65	75	175	43,1	VALEX F036	-
A 75	75	85	200	56,2	VALEX F036	-
A 100	100	95	200	74,3	-	-
A 120	120	105	220	100	-	-
A 150	150	150	220	150,3	-	-
CR 104	63,5	127	127	51,59	-	-
CR 105	65,1	131,8	131,8	52,09	VALEX F036	-
CR 135	76,2	146	131,8	66,97	-	-
CR 171	101,6	152,4	152,4	84,83	-	-
MRS 87 A	101,6	152,4	152,4	86,8	-	-
CR 175	102,4	152,4	152,4	86,8	-	-
MRS 125	120	180	180	125	-	-
S 7	25	65	50	6,75	-	-
S 10	32	70	58	10	-	-
S 14	38	80	70	14	-	-
S 18	43	93	82	18,3	-	-
S 20	44	100	82	19,8	-	-
S 24	53	115	90	24,43	-	-
25 kg/m	50	115	90	25	-	-
S 26 (AFNOR 26)	50	110	100	26,27	-	-
27 E1 (27 UNI)	50	120	95	27,06	VALEX F036	-
AFNOR 30	56	125,5	106	29,98	VALEX F036	-
30 E1 (S 30)	60,3	108	108	30,13	VALEX F036	-
33 E1 (S 33)	58	134	105	33,47	VALEX F036	-
36 E1 (36 UNI)	60	130	100	36,26	VALEX F036	-
40 E1 (S 41-R14)	67	138	125	40,95	VALEX F036	-
46 E4 (46 UNI)	65	145	135	46,9	VALEX F036	-
49 E1 (S 49)	67	149	125	49,39	VALEX F036	-
50 E5 (50 UNI)	67	148	135	49,9	VALEX F036	-
54 E1 (UIC 54)	70	159	140	54,77	-	-
60 E1 (UIC 60)	72	172	150	60,21	-	-

System can be used with more rail type than those listed, complete range of usable rails available on request.
Products and specifications are subject to change without previous notice.



GENERAL INSTRUCTIONS

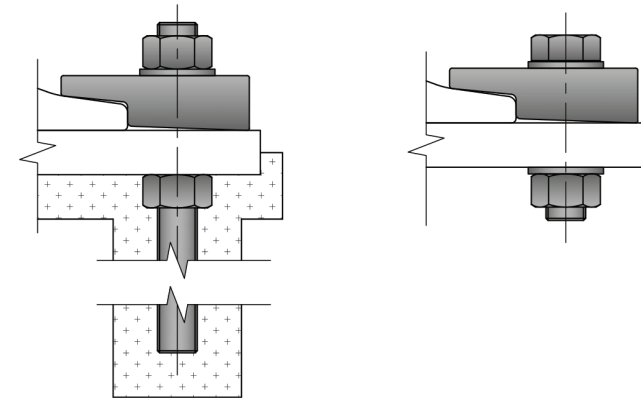
The selection of the fastening system is a critical, important decision both when placing a track or a single rail.
The wrong selection could have expensive consequences and create serious problems such as:

- Slow down or shut down of the production process.
- Excessive and, or irregular wear of rails.
- Damage of mechanical components of crane.
- Damage to supporting base.
- Damage to fastening systems.

VALEX fastening systems have been developed building on the experience accumulated over more than 100 years of activity.

VALENTE fastening system offer an unlimited selection of alternatives, which perform in the most effective and efficient way in every situation.

FIXING DETAILS



VALENTE S.p.A., ISO 9001:2008 Certified, has, as its main objectives maximum assistance and total client satisfaction.

VALENTE S.p.A. assures and guarantees origin and quality of its products and provides all reasonable documentation and assistance.

Products and services provided by VALENTE S.p.A. generate a continuous know how, information and assistance flow, we engineer, manufacturer and market always responsible for our products and projects.

ASSEMBLY INSTRUCTIONS

- Place clip facing the rail according to drawing at the distance indicated in the technical card.
- Insert screw.
- Proceed to a light tightening.
- Control line up of rail.
- Complete tightening.

TECHNICAL SPECIFICATIONS F036-20

- Side load 50 [KN]
- Torque tightening 220 [Nm]
- Bolt M18 8.8 gr - NOT INCLUDED

TECHNICAL SPECIFICATIONS F036-23

- Side load 70 [KN]
- Torque tightening 320 [Nm]
- Bolt M20 8.8 gr - NOT INCLUDED

TECHNICAL SPECIFICATIONS F036-25

- Side load 80 [KN]
- Torque tightening 550 [Nm]
- Bolt M24 8.8 gr - NOT INCLUDED