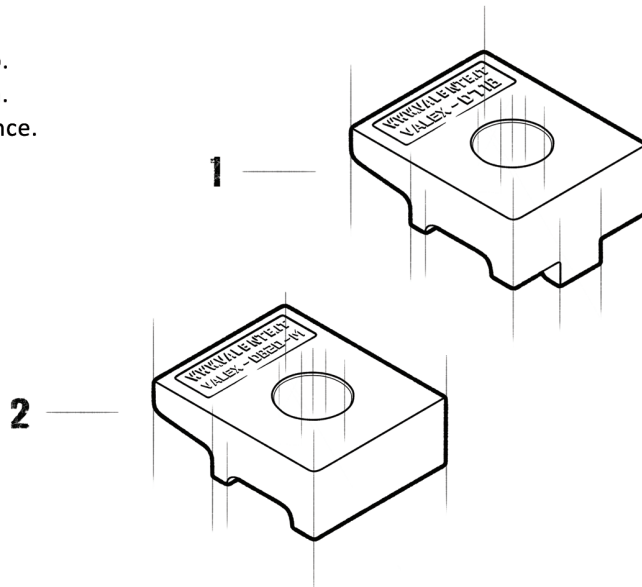


FEATURES

- System made up of one clip.
- Easy and simple installation.
- Easy and simple manutenance.

COMPONENT PROVIDED

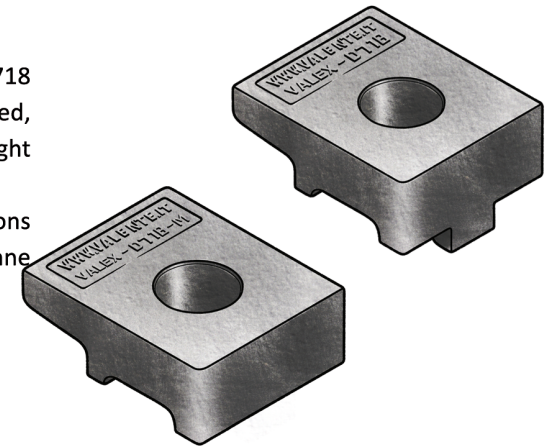
- 1 VALEX D718
- 2 VALEX D718M



APPLICATIONS

Developed for Decauville rails, VALEX D718 and D718M direct fastening system is used, with excellent results, also with train and light rails.

A very rugged, reliable, contained dimensions fastening system, used with any type of crane independently of driving system.

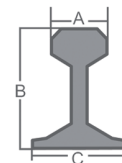


Dimensions [mm]	E	F	G	H	L	L1	L2	M	N	O	P	Weight [g]
VALEX D718	7	16	40	-	18	-	-	12	35	55	44	190
VALEX D718-M	-	16	40	-	18	-	-	12	35	55	44	180



RAIL TYPE	A [mm]	B [mm]	C [mm]	Weight [kg/m]	WITHOUT PAD	WITH PAD
A 45	45	55	125	22,1	VALEX D718/M	-
A 55	55	65	150	31,8	-	-
A 65	65	75	175	43,1	-	-
A 75	75	85	200	56,2	-	-
A 100	100	95	200	74,3	-	-
A 120	120	105	220	100	-	-
A 150	150	150	220	150,3	-	-
CR 104	63,5	127	127	51,59	-	-
CR 105	65,1	131,8	131,8	52,09	-	-
CR 135	76,2	146	131,8	66,97	-	-
CR 171	101,6	152,4	152,4	84,83	-	-
MRS 87 A	101,6	152,4	152,4	86,8	-	-
CR 175	102,4	152,4	152,4	86,8	-	-
MRS 125	120	180	180	125	-	-
S 7	25	65	50	6,75	-	-
S 10	32	70	58	10	-	-
S 14	38	80	70	14	VALEX D718/M	-
S 18	43	93	82	18,3	VALEX D718/M	-
S 20	44	100	82	19,8	VALEX D718/M	-
S 24	53	115	90	24,43	VALEX D718/M	-
25 kg/m	50	115	90	25	VALEX D718/M	-
S 26 (AFNOR 26)	50	110	100	26,27	-	-
27 E1 (27 UNI)	50	120	95	27,06	-	-
AFNOR 30	56	125,5	106	29,98	-	-
30 E1 (S 30)	60,3	108	108	30,13	VALEX D718/M	-
33 E1 (S 33)	58	134	105	33,47	-	-
36 E1 (36 UNI)	60	130	100	36,26	-	-
40 E1 (S 41-R14)	67	138	125	40,95	-	-
46 E4 (46 UNI)	65	145	135	46,9	-	-
49 E1 (S 49)	67	149	125	49,39	-	-
50 E5 (50 UNI)	67	148	135	49,9	-	-
54 E1 (UIC 54)	70	159	140	54,77	-	-
60 E1 (UIC 60)	72	172	150	60,21	-	-

**System can be used with more rail type than those listed, complete range of usable rails available on request.
Products and specifications are subject to change without previous notice.**



GENERAL INSTRUCTIONS

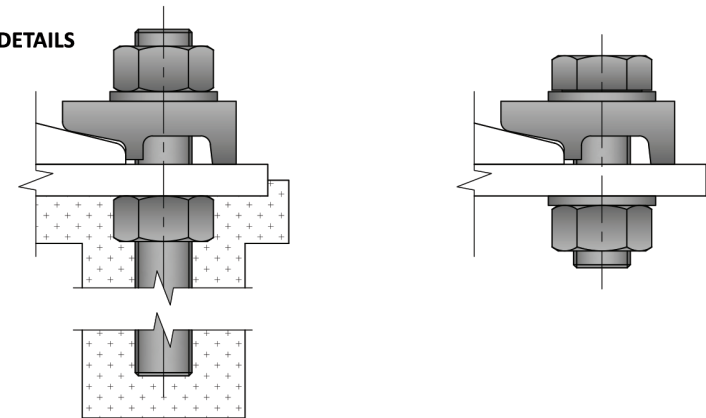
The selection of the fastening system is a critical, important decision both when placing a track or a single rail.
The wrong selection could have expensive consequences and create serious problems such as:

- Slow down or shut down of the production process.
- Excessive and, or irregular wear of rails.
- Damage of mechanical components of crane.
- Damage to supporting base.
- Damage to fastening systems.

VALEX fastening systems have been developed building on the experience accumulated over more than 100 years of activity.

VALENTE fastening systems offer an unlimited selection of alternatives, which perform in the most effective and efficient way in every situation.

FIXING DETAILS



VALENTE S.p.A., ISO 9001:2008 Certified, has, as its main objectives maximum assistance and total client satisfaction.

VALENTE S.p.A. assures and guarantees origin and quality of its products and provides all reasonable documentation and assistance.

Products and services provided by VALENTE S.p.A. generate a continuous know how, information and assistance flow, we engineer, manufacturer and market always responsible for our products and projects.

ASSEMBLING INSTRUCTION

- Line up the rails;
- Place the clip facing the rail according to drawing at the distance indicated in the technical card.
- Insert screw.
- Proceed to a light tightening.
- Control line up of rail.
- Complete tightening.

TECHNICAL SPECIFICATIONS D718

- Side load 60 [KN]
- Torque tightening 175 [Nm]
- Bolt M16 8.8 gr - NOT INCLUDED

TECHNICAL SPECIFICATIONS D718M

- Side load 55 [KN]
- Torque tightening 175 [Nm]
- Bolt M16 8.8 gr - NOT INCLUDED