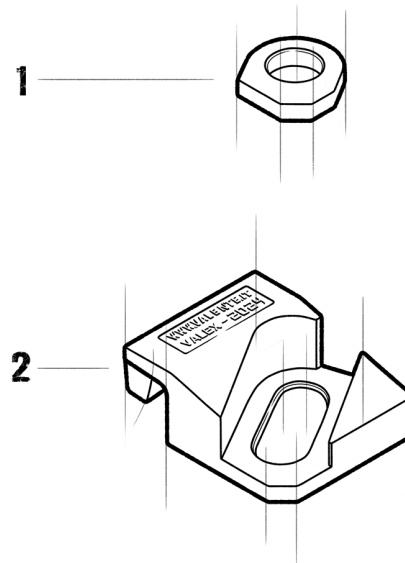


FEATURES

- elastic fastening system for rails with or without pad.
- Elastomer nose increases rail support structure tolerances, reduces connections stress, allows better rail fixing.

COMPONENTS

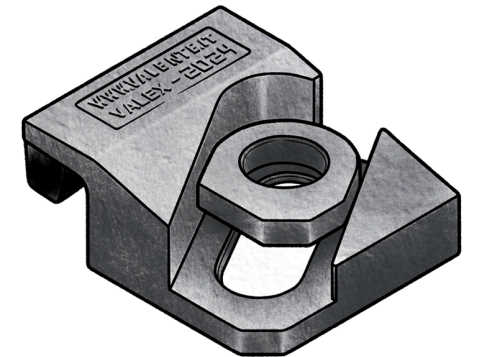
- Clip with vulcanized rubber nose
- Special Washer



APPLICATIONS

Developed for crane rails, VALEX 2024 direct fastening system is used, with excellent results, also with train and light rails.

A very rugged, reliable, contained dimensions fastening system, used with any type of crane independently of driving system.

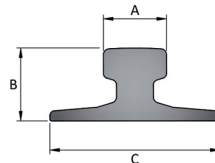


Dimensions [mm]	E	F	G	H	L	L1	L2	M	N	O	P	Weight [g]
VALEX 2024-42-9	-	-	-	23	-	-	-	-	-	-	-	1000
VALEX 2024-42-13	-	-	-	19	-	-	-	-	-	-	-	990
VALEX 2024-42-18	-	-	-	14	-	-	-	-	-	-	-	980
VALEX 2024-42-23	-	-	-	9	-	-	-	-	-	-	-	970



RAIL TYPE	A [mm]	B [mm]	C [mm]	Weight [kg/m]	WITHOUT PAD	WITH PAD
A 45	45	55	125	22,1	-	-
A 55	55	65	150	31,8	-	-
A 65	65	75	175	43,1	-	VALEX 2024-42-13
A 75	75	85	200	56,2	VALEX 2024-42-9	VALEX 2024-42-13
A 100	100	95	200	74,3	VALEX 2024-42-9	VALEX 2024-42-13
A 120	120	105	220	100	VALEX 2024-42-9	VALEX 2024-42-18
A 150	150	150	220	150,3	VALEX 2024-42-13	VALEX 2024-42-18
CR 104	63,5	127	127	51,59	VALEX 2024-42-13	VALEX 2024-42-18
CR 105	65,1	131,8	131,8	52,09	VALEX 2024-42-9	VALEX 2024-42-13
CR 135	76,2	146	131,8	66,97	VALEX 2024-42-9	VALEX 2024-42-18
CR 171	101,6	152,4	152,4	84,83	VALEX 2024-42-13	VALEX 2024-42-18
MRS 87 A	101,6	152,4	152,4	86,8	VALEX 2024-42-13	VALEX 2024-42-18
CR 175	102,4	152,4	152,4	86,8	VALEX 2024-42-9	VALEX 2024-42-18
MRS 125	120	180	180	125	VALEX 2024-42-18	-
S 7	25	65	50	6,75	-	-
S 10	32	70	58	10	-	-
S 14	38	80	70	14	-	-
S 18	43	93	82	18,3	-	VALEX 2024-42-9
S 20	44	100	82	19,8	-	VALEX 2024-42-13
S 24	53	115	90	24,43	-	VALEX 2024-42-13
25 kg/m	50	115	90	25	-	VALEX 2024-42-9
S 26 (AFNOR 26)	50	110	100	26,27	-	VALEX 2024-42-9
27 E1 (27 UNI)	50	120	95	27,06	-	VALEX 2024-42-9
AFNOR 30	56	125,5	106	29,98	-	VALEX 2024-42-13
30 E1 (S 30)	60,3	108	108	30,13	-	VALEX 2024-42-9
33 E1 (S 33)	58	134	105	33,47	-	VALEX 2024-42-13
36 E1 (36 UNI)	60	130	100	36,26	-	VALEX 2024-42-13
40 E1 (S 41-R14)	67	138	125	40,95	-	VALEX 2024-42-13
46 E4 (46 UNI)	65	145	135	46,9	VALEX 2024-42-9	VALEX 2024-42-13
49 E1 (S 49)	67	149	125	49,39	VALEX 2024-42-9	VALEX 2024-42-13
50 E5 (50 UNI)	67	148	135	49,9	-	VALEX 2024-42-13
54 E1 (UIC 54)	70	159	140	54,77	VALEX 2024-42-9	VALEX 2024-42-13
60 E1 (UIC 60)	72	172	150	60,21	VALEX 2024-42-9	VALEX 2024-42-13

System can be used with more rail type than those listed, complete range of usable rails available on request.
Products and specifications are subject to change without previous notice.



GENERAL INSTRUCTIONS

The selection of a fastening system is a critical, important decision both when placing a track or a single rail.
The wrong selection could have expensive consequences and create serious problems such as:

- Slow down or shut down of the production process.
- Excessive and, or irregular wear of rails.
- Damage of mechanical components of crane.
- Damage to supporting base.
- Damage to fastening systems.

VALEX fastening systems have been developed building on the experience accumulated over more than 100 years of activity.

VALENTE fastening systems offer an unlimited selection of alternatives, which perform in the most effective and efficient way in every situation.

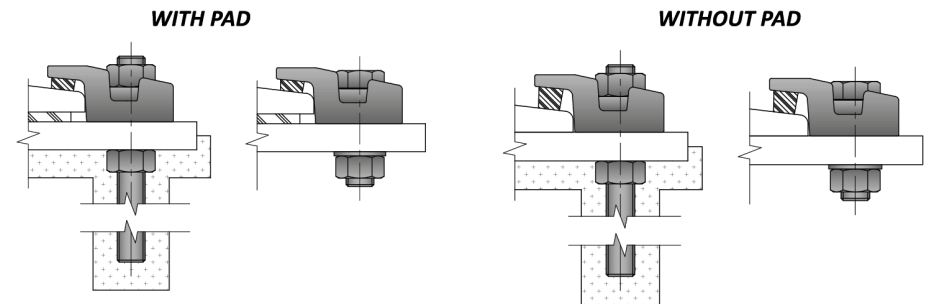
ASSEMBLING INSTRUCTION

- Place clips facing the rail according to the drawing at the distance indicated in the technical card.
- Insert screw and special washer.
- Proceed to a light tightening.
- Control line up of the rail.
- Complete tightening.

TECHNICAL SPECIFICATIONS

- Lateral adjustment 15 [mm]
- Side load 160 [KN]
- Torque tightening 550 [Nm]
- Bolt M24 8.8 gr - NOT INCLUDED

FIXING DETAILS



VALENTE S.p.A., ISO 9001:2008 Certified, has, as its main objectives maximum assistance and total client satisfaction.

VALENTE S.p.A. assures and guarantees origin and quality of its products and provides all reasonable documentation and assistance.

Products and services provided by VALENTE S.p.A. generate a continuous know how, information and assistance flow, we engineer, manufacturer and market always responsible for our products and projects.