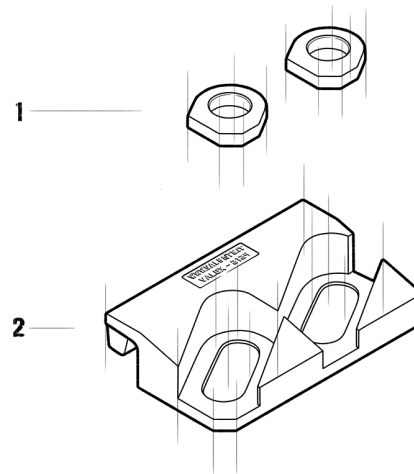


### FEATURES

- Elastic fastening system for rails with or without pad.
- Elastomer nose increases rail-support structure tolerance, reduces connections stress, allows a better rail fixing.

### COMPONENTS

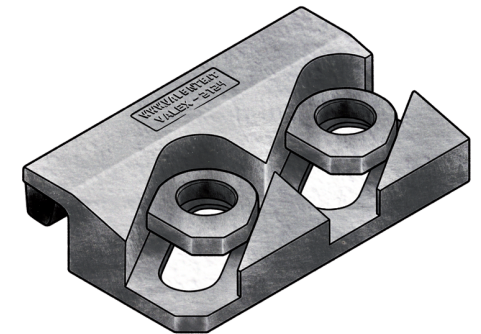
- Clip with vulcanized rubber nose
- Special Washer



### APPLICATIONS

Developed for care rails, Valex 2124 direct fastening system is used, with excellent results, also with train and light rails.

A very rugged, reliable, contained dimension fastening system, used with any type of crane independently of driving system.

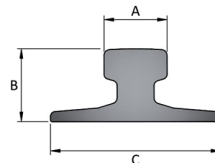


Dimensions [mm]	E	F	G	H	L	L1	L2	M	N	O	P	Weight [g]
<b>VALEX 2124-42-9</b>	-	-	-	23	-	-	-	-	-	-	-	<b>2020</b>
<b>VALEX 2124-42-13</b>	-	-	-	19	-	-	-	-	-	-	-	<b>2010</b>
<b>VALEX 2124-42-18</b>	-	-	-	14	-	-	-	-	-	-	-	<b>1990</b>
<b>VALEX 2124-42-23</b>	-	-	-	9	-	-	-	-	-	-	-	<b>1970</b>



RAIL TYPE	A [mm]	B [mm]	C [mm]	Weight [kg/m]	WITHOUT PAD	WITH PAD
A 45	45	55	125	22,1	-	-
A 55	55	65	150	31,8	-	-
A 65	65	75	175	43,1	-	VALEX 2124-42-13
A 75	75	85	200	56,2	VALEX 2124-42-9	VALEX 2124-42-13
A 100	100	95	200	74,3	VALEX 2124-42-9	VALEX 2124-42-13
A 120	120	105	220	100	VALEX 2124-42-9	VALEX 2124-42-18
A 150	150	150	220	150,3	VALEX 2124-42-13	VALEX 2124-42-18
CR 104	63,5	127	127	51,59	VALEX 2124-42-13	VALEX 2124-42-18
CR 105	65,1	131,8	131,8	52,09	VALEX 2124-42-9	VALEX 2124-42-13
CR 135	76,2	146	131,8	66,97	VALEX 2124-42-9	VALEX 2124-42-18
CR 171	101,6	152,4	152,4	84,83	VALEX 2124-42-13	VALEX 2124-42-18
MRS 87 A	101,6	152,4	152,4	86,8	VALEX 2124-42-13	VALEX 2124-42-18
CR 175	102,4	152,4	152,4	86,8	VALEX 2124-42-9	VALEX 2124-42-18
MRS 125	120	180	180	125	VALEX 2124-42-18	-
S 7	25	65	50	6,75	-	-
S 10	32	70	58	10	-	-
S 14	38	80	70	14	-	-
S 18	43	93	82	18,3	-	VALEX 2124-42-9
S 20	44	100	82	19,8	-	VALEX 2124-42-13
S 24	53	115	90	24,43	-	VALEX 2124-42-13
25 kg/m	50	115	90	25	-	VALEX 2124-42-9
S 26 (AFNOR 26)	50	110	100	26,27	-	VALEX 2124-42-9
27 E1 (27 UNI)	50	120	95	27,06	-	VALEX 2124-42-9
AFNOR 30	56	125,5	106	29,98	-	VALEX 2124-42-13
30 E1 (S 30)	60,3	108	108	30,13	-	VALEX 2124-42-9
33 E1 (S 33)	58	134	105	33,47	-	VALEX 2124-42-13
36 E1 (36 UNI)	60	130	100	36,26	-	VALEX 2124-42-13
40 E1 (S 41-R14)	67	138	125	40,95	-	VALEX 2124-42-13
46 E4 (46 UNI)	65	145	135	46,9	VALEX 2124-42-9	VALEX 2124-42-13
49 E1 (S 49)	67	149	125	49,39	VALEX 2124-42-9	VALEX 2124-42-13
50 E5 (50 UNI)	67	148	135	49,9	-	VALEX 2124-42-13
54 E1 (UIC 54)	70	159	140	54,77	VALEX 2124-42-9	VALEX 2124-42-13
60 E1 (UIC 60)	72	172	150	60,21	VALEX 2124-42-9	VALEX 2124-42-13

System can be used with more rail type than those listed, complete range of usable rails available on request.  
Products and specifications are subject to change without previous notice.



### GENERAL INSTRUCTIONS

The selection of a fastening system, is a critical, important decision both when placing a track or a single rail.  
The wrong selection could have expensive consequences and create serious problems such us:

- Slow down or shut down of the production process.
- Excessive and, or irregular wear of the rails.
- Damage of mechanical components of crane.
- Damage to supporting base.
- Damage to fastening systems.

VALEX fastening systems have been developed building on the experience accumulated over more than 100 years of activity.

VALENTE fastening systems offer an unlimited selection of alternatives, which perform in the most effective and efficient way in every situation.

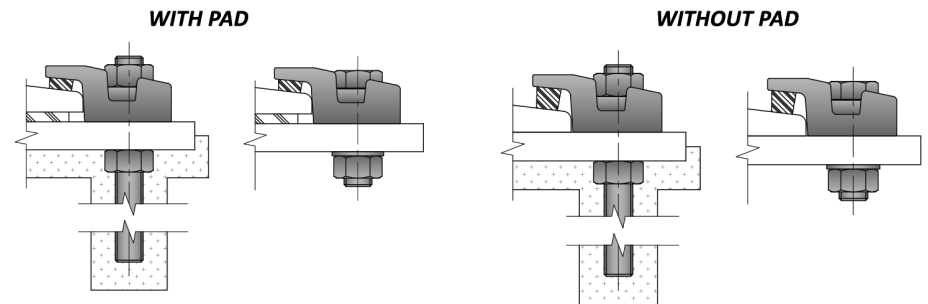
### ASSEMBLING INSTRUCTION

- Place clip facing the rail according to the drawing at the distance indicated in the technical card
- Insert screws and special washers.
- Proceed to a light tightening.
- Control line up of the rails.
- Complete tightening.

### TECHNICAL SPECIFICATIONS

- Lateral adjustment 15 [mm]
- Side load 290 [KN]
- Torque tightening 550 [Nm]
- Bolt M24 8.8 gr - NOT INCLUDED

### FIXING DETAILS



VALENTE S.p.A., ISO 9001:2008 Certified, has, as its main objectives maximum assistance and total client satisfaction.

VALENTE S.p.A. assures and guarantees origin and quality of its products and provides all reasonable documentation and assistance.

Products and services provided by VALENTE S.p.A. generate a continuous know how, information and assistance flow, we engineer, manufacturer and market always responsible for our products and projects.