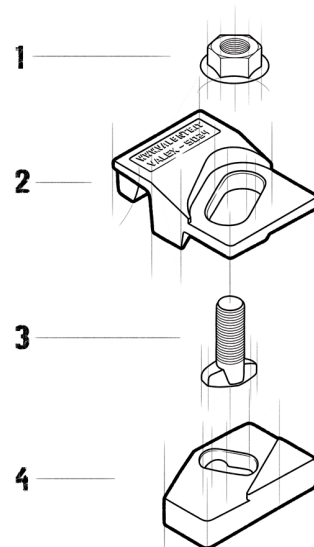


FEATURES

- Elastic fastening system for rails with or without pad.
- System made up of two interlocked elements, which allow easy clip lateral adjustment.
- System component locked together by a special bolt.
- Elastomer nose increases rail-support structure tolerances, reduces connections stress, allows better rail fixing.
- System lower element easily weldable to rail support.

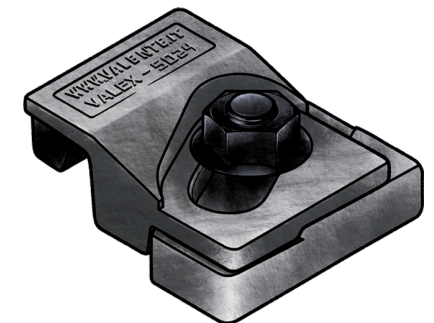
COMPONENTS PROVIDED

- 1 Flanged nut M24
- 2 Upper clip vulcanized rubber nose
- 3 Special screw M24
- 4 Weldable lower clip



APPLICATIONS

Developed for crane rails, VALEX 5024 indirect fastening system is used, with excellent results, also with train and light rails.
A very rugged, reliable, contained dimension fastening system, used with any type of crane independently of the driving system.

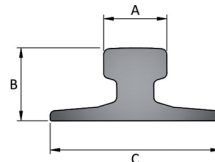


Dimensions [mm]	E	F	G	H	L	L1	L2	M	N	O	P	Weight [g]
VALEX 5024-40-11	23	40	68	19	-	-	-	-	-	-	-	2360
VALEX 5024-40-16	23	40	68	14	-	-	-	-	-	-	-	2350
VALEX 5024-40-19	23	40	68	11	-	-	-	-	-	-	-	2340
VALEX 5024-42-13	25	42	68	19	-	-	-	-	-	-	-	2410
VALEX 5024-42-18	25	42	68	14	-	-	-	-	-	-	-	2400
VALEX 5024-42-21	25	42	68	11	-	-	-	-	-	-	-	2390
VALEX 5024-50-21	33	50	76	19	-	-	-	-	-	-	-	2810
VALEX 5024-50-26	33	50	76	14	-	-	-	-	-	-	-	2800
VALEX 5024-50-29	33	50	76	11	-	-	-	-	-	-	-	2790



RAIL TYPE	A [mm]	B [mm]	C [mm]	Weight [kg/m]	WITHOUT PAD	WITH PAD
A 45	45	55	125	22,1	-	-
A 55	55	65	150	31,8	-	-
A 65	65	75	175	43,1	-	-
A 75	75	85	200	56,2	-	-
A 100	100	95	200	74,3	VALEX 5024-40-11	VALEX 5024-40-16
A 120	120	105	220	100	VALEX 5024-42-13	VALEX 5024-42-18
A 150	150	150	220	150,3	VALEX 5024-40-16	VALEX 5024-42-21
CR 104	63,5	127	127	51,59	VALEX 5024-42-13	VALEX 5024-42-21
CR 105	65,1	131,8	131,8	52,09	VALEX 5024-40-11	VALEX 5024-40-19
CR 135	76,2	146	131,8	66,97	VALEX 5024-42-13	VALEX 5024-42-21
CR 171	101,6	152,4	152,4	84,83	VALEX 5024-40-16	VALEX 5024-42-21
MRS 87 A	101,6	152,4	152,4	86,8	VALEX 5024-40-16	VALEX 5024-50-21
CR 175	102,4	152,4	152,4	86,8	VALEX 5024-42-13	VALEX 5024-42-21
MRS 125	120	180	180	125	VALEX 5024-50-21	VALEX 5024-50-29
S 7	25	65	50	6,75	-	-
S 10	32	70	58	10	-	-
S 14	38	80	70	14	-	-
S 18	43	93	82	18,3	-	-
S 20	44	100	82	19,8	-	-
S 24	53	115	90	24,43	-	-
25 kg/m	50	115	90	25	-	-
S 26 (AFNOR 26)	50	110	100	26,27	-	-
27 E1 (27 UNI)	50	120	95	27,06	-	-
AFNOR 30	56	125,5	106	29,98	-	-
30 E1 (S 30)	60,3	108	108	30,13	-	-
33 E1 (S 33)	58	134	105	33,47	-	-
36 E1 (36 UNI)	60	130	100	36,26	-	-
40 E1 (S 41-R14)	67	138	125	40,95	-	-
46 E4 (46 UNI)	65	145	135	46,9	-	-
49 E1 (S 49)	67	149	125	49,39	-	-
50 E5 (50 UNI)	67	148	135	49,9	-	-
54 E1 (UIC 54)	70	159	140	54,77	-	-
60 E1 (UIC 60)	72	172	150	60,21	VALEX 5024-40-11	VALEX 5024-40-16

System can be used with more rail type than those listed, complete range of usable rails available on request.
Products and specifications are subject to change without previous notice.



GENERAL INSTRUCTIONS

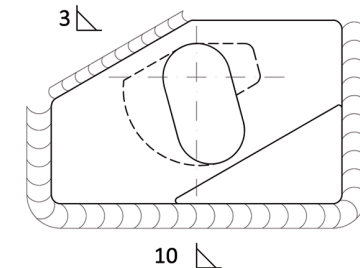
The selection of the fastening system is a critical, important decision both when placing a track or a single rail.
The wrong selection could have expensive consequences and create serious problems such as:

- Slow down or shut down of production process.
- Excessive and, or irregular wear of rails.
- Damage of mechanical components of crane.
- Damage to supporting base.
- Damage to fastening system.

VALEX fastening systems have been developed building on the experience accumulated over more than 100 years of activity.

VALENTE fastening systems offer an unlimited selection of alternatives which perform the most effective and efficient way in every situation.

WELDING DETAILS



VALENTE S.p.A., ISO 9001:2008 Certified, has, as its main objectives maximum assistance and total client satisfaction.

VALENTE S.p.A. assures and guarantees origin and quality of its products and provides all reasonable documentation and assistance.

Products and services provided by VALENTE S.p.A. generate a continuous know how, information and assistance flow, we engineer, manufacturer and market always responsible for our products and projects.

ASSEMBLING INSTRUCTION

- Place the lower clip facing the rail according to the drawing at the distance indicated in the technical card.
- Weld the two perpendicular sides and the diagonal side of the lower clip opposite to the rail with either electrode or rode.
- Insert the screw in the lower clip.
- Place the upper clip and the flanged nut.
- Proceed to a light tightening.
- Control line up of the rail.
- Complete tightening.

Electrode

AWS A5.1-04 E7018-1
EN ISO 2560-A E42 4 B42 H5
CE EN 13479

Rod

AWS A5.18 ER 70S-6: SG3
EN ISO 1668 W 4Si1: SG3

TECHNICAL SPECIFICATIONS

- Lateral adjustment 20 [mm]
- Side load 190 [KN]
- Torque tightening 500 [Nm]
- Welding seam thickness 10 [mm] 3 [mm]
(see technical drawing below)
- Special bolt M24 gr 8.8