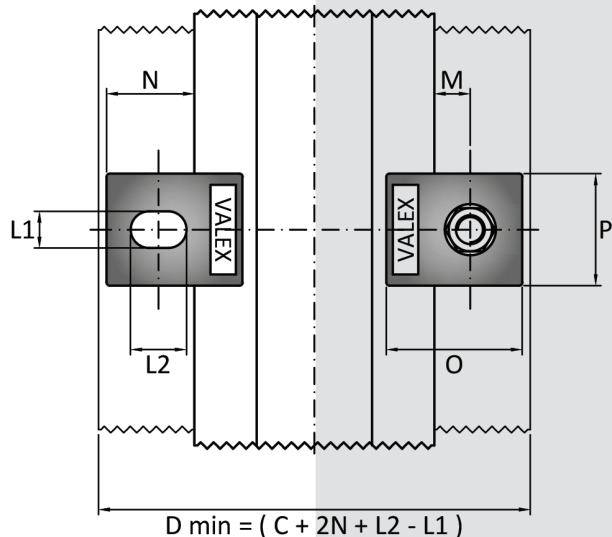
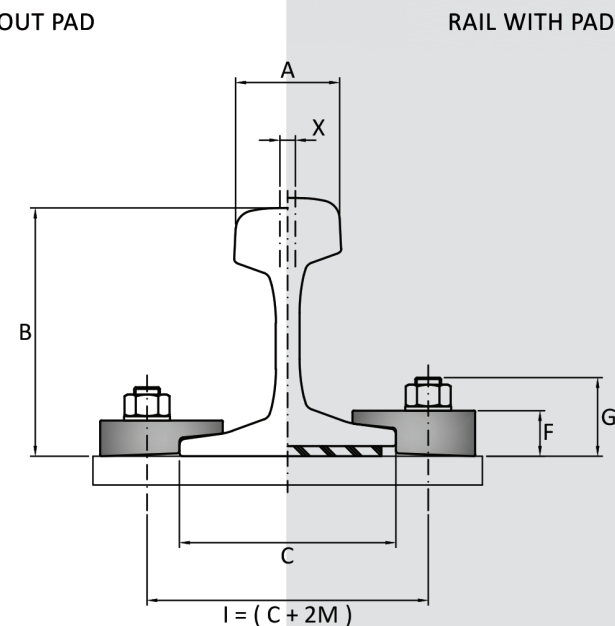




RAIL WITHOUT PAD



RAIL WITH PAD

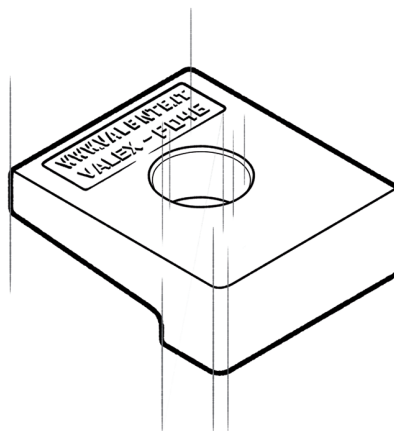


FEATURES

- System made up of one clip and bolt.
- Easy and simple installation.
- Easy and simple maintenance.

COMPONENT PROVIDED

- Clip



APPLICATIONS

Developed for crane rails, VALEX F046 direct fastening system is used, with excellent results, also with train and light rails.

A very rugged, reliable, contained dimensions fastening system, used with any type of crane independently of driving system.

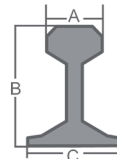


Dimensions [mm]	E	F	G	H	L	L1	L2	M	N	O	P	Weight [g]
VALEX F046	-	25	50	-	-	23	23	12	48	70	60	530



RAIL TYPE	A [mm]	B [mm]	C [mm]	Weight [kg/m]	WITHOUT PAD	WITH PAD
A 45	45	55	125	22,1	-	-
A 55	55	65	150	31,8	VALEX F046	-
A 65	65	75	175	43,1	VALEX F046	-
A 75	75	85	200	56,2	VALEX F046	-
A 100	100	95	200	74,3	VALEX F046	-
A 120	120	105	220	100	-	-
A 150	150	150	220	150,3	-	-
CR 104	63,5	127	127	51,59	-	-
CR 105	65,1	131,8	131,8	52,09	VALEX F046	-
CR 135	76,2	146	131,8	66,97	-	-
CR 171	101,6	152,4	152,4	84,83	-	-
MRS 87 A	101,6	152,4	152,4	86,8	-	-
CR 175	102,4	152,4	152,4	86,8	-	-
MRS 125	120	180	180	125	-	-
S 7	25	65	50	6,75	-	-
S 10	32	70	58	10	-	-
S 14	38	80	70	14	-	-
S 18	43	93	82	18,3	-	-
S 20	44	100	82	19,8	-	-
S 24	53	115	90	24,43	-	-
25 kg/m	50	115	90	25	-	-
S 26 (AFNOR 26)	50	110	100	26,27	-	-
27 E1 (27 UNI)	50	120	95	27,06	-	-
AFNOR 30	56	125,5	106	29,98	-	-
30 E1 (S 30)	60,3	108	108	30,13	VALEX F046	-
33 E1 (S 33)	58	134	105	33,47	VALEX F046	-
36 E1 (36 UNI)	60	130	100	36,26	VALEX F046	-
40 E1 (S 41-R14)	67	138	125	40,95	VALEX F046	-
46 E4 (46 UNI)	65	145	135	46,9	VALEX F046	-
49 E1 (S 49)	67	149	125	49,39	VALEX F046	-
50 E5 (50 UNI)	67	148	135	49,9	VALEX F046	-
54 E1 (UIC 54)	70	159	140	54,77	VALEX F046	-
60 E1 (UIC 60)	72	172	150	60,21	VALEX F046	-

**System can be used with more rail type than those listed, complete range of usable rails available on request.
Products and specifications are subject to change without previous notice.**



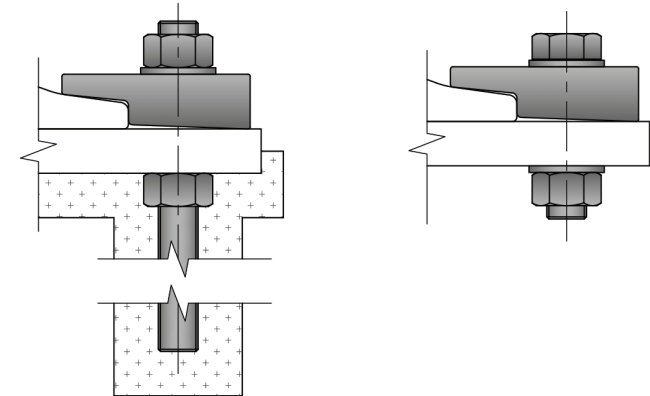
GENERAL INSTRUCTIONS

The selection of a fastening system is a critical, important decision both when placing a track or a single rail. The wrong selection could have expensive consequences and create serious problems such as:

- Slow down or shut down of the production process.
- Excessive and, or irregular wear of rails.
- Damage of mechanical components of crane.
- Damage to supporting base.
- Damage to fastening systems.

VALEX fastening systems have been developed building on the experience accumulated over more than 100 years of activity. VALENTE fastening systems offer an unlimited selection of alternatives, which perform in the most effective and efficient way in every situation.

FIXING DETAILS



VALENTE S.p.A., ISO 9001:2008 Certified, has, as its main objectives maximum assistance and total client satisfaction.

VALENTE S.p.A. assures and guarantees origin and quality of its products and provides all reasonable documentation and assistance.

Products and services provided by VALENTE S.p.A. generate a continuous know how, information and assistance flow, we engineer, manufacturer and market always responsible for our products and projects.