



VALENTE

SPA

Headquarters:

Via Don Minzoni, 06
20020 Lainate - MI - Italy
Tel: +39 02.93799212 - Fax: +39 02.93799349
www.valente.it - info@valente.it
Skype: valentespa

Registered office:

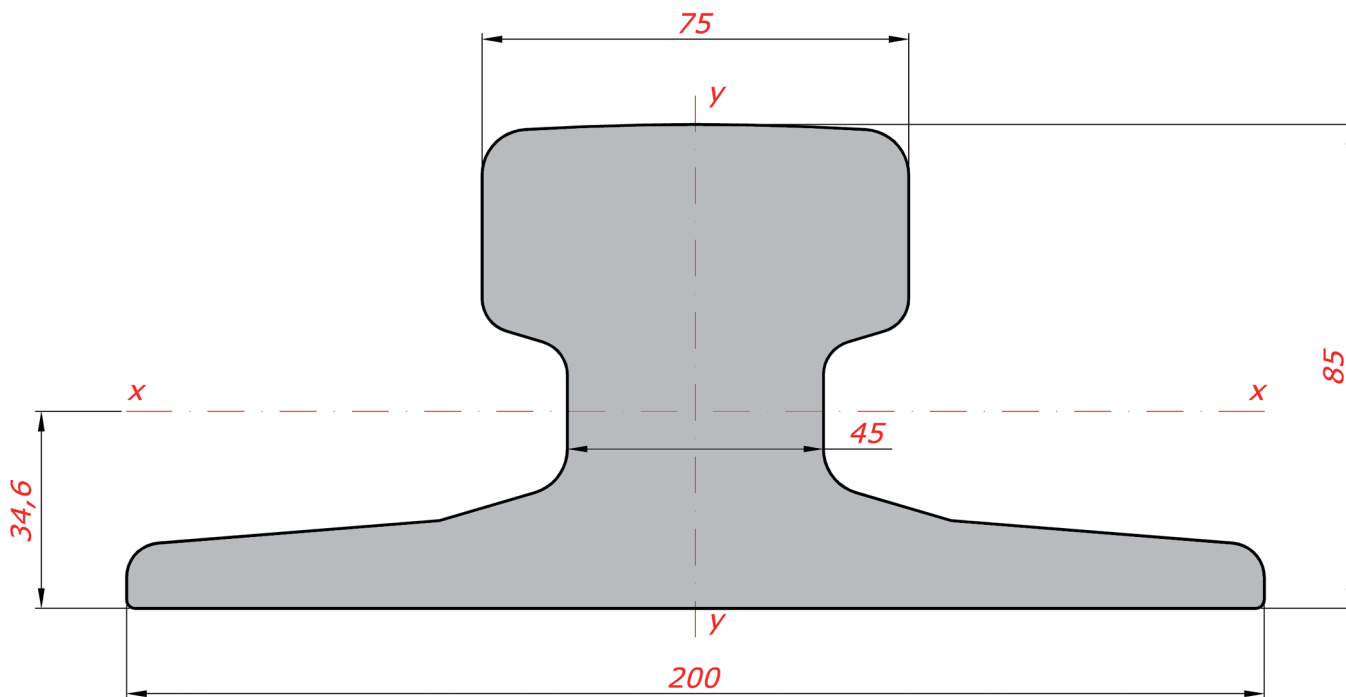
P.zza S. Ambrogio, 1
20123 Milan - MI - Italy
Tel: +39 02.93799212 - Fax: +39 02.93799349
www.valente.it - info@valente.it
Skype: valentespa

Administrative offices and warehouse:

Via Don Sturzo, 20
20020 Lainate - MI - Italy
Tel: +39 02.93799212 - Fax: +39 02.93799349
www.valente.it - info@valente.it
Skype: valentespa

Middle East branch:

VALENTE ME FZCO - Jebel Ali Free Zone - Dubai
P.O. Box 263179 - United Arab Emirates
Tel.: +971.4.8870411 - Fax: +971.4.8870412
www.valenteme.ae - info@valenteme.ae

RAIL A 75

MASS	56,2	kg/m
AREA	71,6	cm ²
MOMENT OF INERTIA x-x	531	cm ⁴
MOMENT OF INERTIA y-y	1011	cm ⁴
SECTION MODULUS x-x - HEAD	105,4	cm ³
SECTION MODULUS x-x - BASE	153,5	cm ³
SECTION MODULUS y-y	101,1	cm ³



VALENTE SPA

Headquarters:
Via Don Minzoni, 06
20020 Lainate - MI - Italy
Tel: +39 02.93799212 - Fax: +39 02.93799349
www.valente.it - info@valente.it
Skype: valentespa

Registered office:
P.zza S. Ambrogio, 1
20123 Milan - MI - Italy
Tel: +39 02.93799212 - Fax: +39 02.93799349
www.valente.it - info@valente.it
Skype: valentespa

Administrative offices and warehouse:
Via Don Sturzo, 20
20020 Lainate - MI - Italy
Tel: +39 02.93799212 - Fax: +39 02.93799349
www.valente.it - info@valente.it
Skype: valentespa

Middle East branch:
VALENTE ME FZCO - Jebel Ali Free Zone - Dubai
P.O. Box 263179 - United Arab Emirates
Tel.: +971.4.8870411 - Fax: +971.4.8870412
www.valenteme.ae - info@valenteme.ae

RAIL A 75



SUITABLE FASTENING SYSTEM FOR RAIL A 75

WITHOUT PAD

FASTENING SERIES	LATERAL ADJUSTMENT	SIDE LOAD	TORQUE TIGHTENING	FASTENING SYSTEM
VALEX 1004	10	60	175	VALEX 1004-29-18
VALEX 3016	-	50	175	VALEX 3016-28-12
VALEX 3116	-	80	175	VALEX 3116-28-12
VALEX 5016	10	55	150	VALEX 5016-32-6
VALEX 5020	14	100	275	VALEX 5020-38-9
VALEX 5024	-	-	-	-
VALEX 5116	10	125	150	VALEX 5116-32-6
VALEX 5120	14	200	275	VALEX 5120-39-9
VALEX 5124	-	-	-	-
VALEX 9022	-	-	-	-

WITH PAD

FASTENING SERIES	LATERAL ADJUSTMENT	SIDE LOAD	TORQUE TIGHTENING	FASTENING SYSTEM
VALEX 1004	10	60	175	VALEX 1004-33-22
VALEX 3016	-	-	-	-
VALEX 3116	-	80	175	VALEX 3116-28-5
VALEX 5016	10	55	150	VALEX 5016-32-13
VALEX 5020	14	100	275	VALEX 5020-42-13
VALEX 5024	-	-	-	-
VALEX 5116	10	125	150	VALEX 5116-32-13
VALEX 5120	10	125	150	VALEX 5120-43-13
VALEX 5124	-	-	-	-
VALEX 9022	-	-	-	-

INDIRECT FIXING

DIRECT FIXING

FASTENING SERIES	LATERAL ADJUSTMENT	SIDE LOAD	TORQUE TIGHTENING	FASTENING SYSTEM
VALEX 2012	-	-	-	-
VALEX 2016	10	35	175	VALEX 2016-32-6
VALEX 2020	15	75	320	VALEX 2020-35-8
VALEX 2024	-	-	-	-
VALEX 2124	-	-	-	-
VALEX 4000	10	70	320	VALEX 4025
VALEX 6024	-	-	-	-
VALEX 7020	10	75	320	VALEX 7020-40-10
VALEX F	-	-	-	-
VALEX D	-	-	-	-
VALEX D/M	-	-	-	-

FASTENING SERIES	LATERAL ADJUSTMENT	SIDE LOAD	TORQUE TIGHTENING	FASTENING SYSTEM
VALEX 2012	-	-	-	-
VALEX 2016	10	35	175	VALEX 2016-32-13
VALEX 2020	15	75	320	VALEX 2020-35-13
VALEX 2024	-	-	-	-
VALEX 2124	-	-	-	-
VALEX 4000	-	95	550	VALEX 4028
VALEX 6024	-	-	-	-
VALEX 7020	10	75	320	VALEX 7020-40-15
VALEX F	-	-	-	-
VALEX D	-	-	-	-
VALEX D/M	-	-	-	-